

MPM489B Pressure Transmitter

Introduction

MPM489B pressure transmitter is designed especially for pressure measure and control of petroleum, chemi-industry, water conservancy and electricity,etc. The product has good performance and stability, good resistance of EMI, and protection for instantaneous high pressure and surge interfere which is produced by thunder, noise and sharp pulse,etc. The product could work reliably and stably in rough environment for a long time.

Specification

Pressure range	-100kPa...0kPa~10kPa...100MPa
Media	the liquid or gas which is compatible with stainless steel 1Cr18Ni9Ti
Power supply	12V~28V DC
Output signal	4mA~20mA DC, 2-wire
Load	$R \leq (U-12)/0.02\Omega$
Accuracy	$\pm 0.5\%FS$
Thermal error	$\pm 0.03\%FS/^{\circ}C$ ($\leq 100kPa$), $\pm 0.02\%FS/^{\circ}C$ ($> 100kPa$)
Overpressure	± 1.5 times FS or 110MPa (min. value is valid)
Environment temp.	-30 $^{\circ}C$ ~80 $^{\circ}C$, -10 $^{\circ}C$ ~60 $^{\circ}C$ (intrinsic safe version)
Media temp.	-40 $^{\circ}C$ ~80 $^{\circ}C$
Storage temp.	-40 $^{\circ}C$ ~85 $^{\circ}C$
Shock	3-dimensional 10g /frequency 50Hz/ swing1mm, zero and span change $< \pm 0.3\%FS$
Impact	100g/20ms, zero and span change $< \pm 0.3\%FS$
Relative Humidity	0%~90%
Protection	IP65
Frequency response	$> 1kHz$
Endurance	10^6 pressure cycles

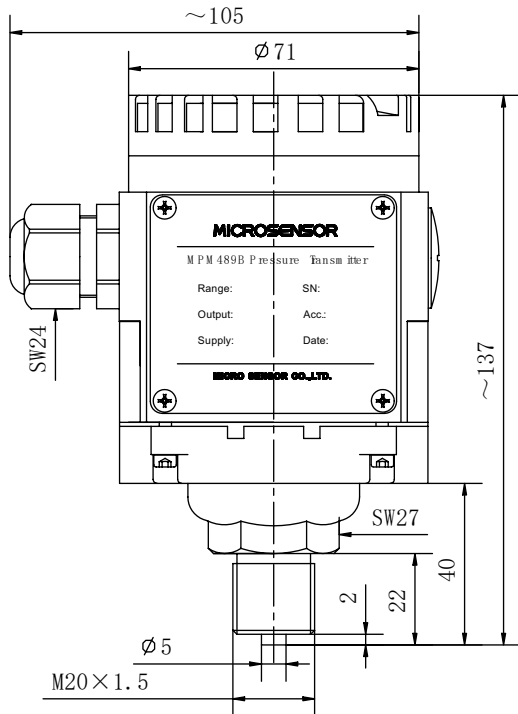


Features

- Reliable performance, easy installation and using
- Multi-protection, good resistance of EMI
- Over-current protection, good compatibility
- Short circuit and reverse signal polarity protection
- Zero, span adjustable
- Measure gauge, absolute and sealed gauge

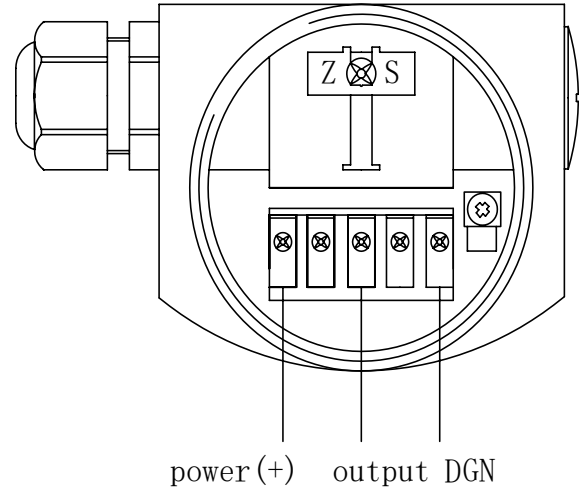
Construction and Outline Dimension (Unit:mm)

- Housing: Aluminum-casting
- Sensor housing: stainless steel 304
- Diaphragm: stainless steel 316L
- O-ring: Viton



MPM489B Electrical Connection

Connection socket	2-wire
Power(+)	+V
Output	OV/ +OUT
8	+IN



Terminal "GND" should connect with shield wire of the cable, and the shield wire should be grounding reliably; or connect "GND" with housing terminal.

Order Guide

MPM489B		Pressure Transmitter			
	Range	Pressure range:-100kPa...0kPa~10kPa...100MPa			
	[0~X]kPa or MPa	X: Actual measurement range			
	Code	Output			
	E	4mA~20mA DC			
	Code	Construction material			
		Diaphragm	Pressure port	Housing	
	22	SS 316L	SS	Aluminium Alloy	
	25	Tantalum	SS	Aluminium Alloy	
	Code	Others			
	C1	M20×1.5 male, face type seal			
	C3	G1/2 male(used for flush diaphragm type)			
	C5	M20×1.5 male,waterline seal			
	G	Gauge			
	S	Sealed gauge			
	A	Absolute			
MPM489B	[0~1000] kPa	E	22	C1G	the whole spec

Notes

- 1.Please pay attention the media should be compatible with product parts which contact with the media;
- 2.The pressure port is optional due to the users' demands,please inform that in the order;
- 3.If the users have any special requirement,please feel free to let us know.